



BONSMARA BEESTELERSGENOOTSKAP VAN SA

Saamgestel deur die Suid-Afrikaanse Stamboek- en Veeverbeteringsvereniging

Stamboom- en Prestasiedata korrek gesertifiseer

Veilingsdatum: 17/09/2011

Data soos op 09/09/2011 09:15:48

EXPLANATION OF ABBREVIATIONS IN CATALOGUE

VERDUIDELIKING VAN AFKORTINGS IN KATALOGUS

| | | | |
|---------------------|-------------|-------------|------------------------------|
| Birth details | BIRTH | GEBOORTE | Geboorte Besonderhede |
| Growth traits | GROWTH RATE | GROEIVERMOë | Groei Eienskappe |
| Efficiency traits | EFFICIENCY | DOELTREFF | Doeltreffendheids eienskappe |
| Body measurements | MEASURE | MATES | Liggaamsmates |
| Reproduction traits | REPROD | REPROD | Reproduksie eienskappe |
| Detail of parents | PARENTS | OUERS | Inligting van ouers |

| | | | |
|--------------------------------|----------|----------|----------------------------------|
| Lot number | Lot | Lot | Lotnommer |
| Seller | Seller | Verkoper | Verkoper |
| Identification number | ID | ID | Identifikasienommer |
| Generation/Section of Herdbook | Gen | Gen | Generasie/Afdeling van kuddeboek |
| Award received | Aw/Award | Toek | Toekenning ontvang |
| Phase tested | Phase | Fase | Fase getoets |
| Contemporaries in test | Cont | Tydg | Tydenote in toets |
| Weight in kilogram | Wgt | Gew | Gewig in kilogram |
| Index | Ind | Ind | Indeks |
| Accuracy of breeding value | Acc | Akk | Akkuraatheid van teelwaarde |

| BREEDING VALUES | | | TEELWAARDES |
|----------------------------------|-----------|-----------|--------------------------------------|
| Birth direct (kg) | Birth Dir | Geb Dir | Geboorte direk (kg) |
| Birth maternal (kg) | Birth Mat | Geb Mat | Geboorte maternaal (kg) |
| Wean direct (kg) | Wean Dir | Speen Dir | Speen direk (kg) |
| Wean maternal (kg) | Wean Mat | Speen Mat | Speen maternaal (kg) |
| 12 Months (kg) | 12M | 12M | 12 Maande (kg) |
| 18 Months (kg) | 18M | 18M | 18 Maande (kg) |
| Average daily gain (g/day) | ADG | GDT | Gemiddelde daaglikse toename (g/dag) |
| Mature weight (kg) | Matur Wgt | Volw Gew | Volwasse gewig (kg) |
| Feed conversion ratio | FCR | VOV | Voeromsetverhouding |
| Average daily feed intake | DFI | GDI | Gemiddelde daaglikse voer inname |
| Feedlot profit (Rands and cents) | Feed Prof | Voer Wins | Voerkraalwins (Rande en sente) |
| Height (mm) | Hgt | Hgt | Hoogte (mm) |
| Length (mm) | Lgt | Lgt | Lengte (mm) |
| Calving tempo (calves) | Calf Temp | Kalf Temp | Kalftempo (kalwers) |
| Scrotal circumference (mm) | SC | SO | Skrotum omvang (mm) |

| | | | |
|--------------------------------------|-----------|---------|-------------------------------------|
| Skin thickness in millimetres | Skin | Vel | Veldikte in millimeter |
| Length: Height ratio | L:H | L:H | Lengte: Hoogteverhouding |
| Age at 1st calving in months | AFC (m) | OEK (m) | Ouderdom 1ste kalf in maande |
| Average Inter-calving period in days | ICP | TKP | Gemiddelde Tussenkalfperiode in dae |
| Age in years and months | Age | Oud | Ouderdom in jare en maande |
| Number of calvings | Calv | Kalw | Aantal kalwings |
| Average Wean index | Ave WI | Gem SI | Gemiddelde Speenindeks |
| Number of calves | Calf | Kalf | Aantal kalwers |
| Days open since last calving | Days Open | Dae Oop | Dae oop sedert laaste kalwing |
| Reproduction index | R.I. | R.I. | Reproduksie Indeks |
| Calf information | Calf | Kalf | Kalf informasie |



BONSMARA CATTLE BREEDERS' SOCIETY OF SA

Compiled by the South African Stud Book and Livestock Improvement Association

Pedigree- and Performance data certified correct

Auction Date: 17/09/2011
Data as on 09/09/2011 09:15:48

FEMALE ANIMALS

| Lot | Seller | ID | Sex | BIRTH | | GROWTH RATE | | | | | | EFFICIEN | | MEASUR | | REP | PARENTS | | REPRODUCTION | | | | | | BREEDER OWN REMARKS |
|-----|--------|----|-----|-----------|-----------|-------------|----------|-----|-----|-----------|-----|----------|-----|--------|-----|-----|---------|--------|--------------|------|---------|------|--------|-----------|---------------------|
| | | | | Birth Dir | Birth Mat | Wean Dir | Wean Mat | 12M | 18M | Matur Wgt | ADG | FCR | DFI | Hgt | Lgt | SC | Sire ID | Dam ID | Calf | | AFC (m) | Age | Ave WI | Days Open | |
| | | | | Acc | Acc | Dir | Mat | Acc | Acc | Acc | Acc | Acc | Acc | Acc | Acc | Acc | Acc | Acc | ID | Sire | ICP | Calv | Calv | R.I. | |

Pregnant Cows

| | | | | | | | | | | | | | | | | | | | | | | | | | |
|---|-------------------------------|---------------|----|-------------|-------------|------------|-----------|------------|------------|-------------|-----------|------------|---|----------|----------|-------------|-------------|---------------|--|--|-----|---|-----|-----|---|
| 1 | MARLOO BONSMARASTOET EDMS BPK | JMP 05 0078 | SP | -1.19 85 | -0.76 76 | 0.5 80 | 0.5 78 | 2.8 70 | 3.8 66 | -12.0 48 | 48 59 | -67 63 | - | -3 65 | 6 63 | 19.80 65 | RGR 980199 | JMP 02 0031 | | | 30 | 6 | 100 | 345 | 7-9 mde Dragtig KI: JMP 07-232, Opvolg: JMP 08-206 |
| | | | - | 31 | 10.04.05 | | | | | | | | | | | | - | - | | | 354 | 4 | 3 | 113 | |
| 2 | MARLOO BONSMARASTOET EDMS BPK | JMP 05 0052 | SP | 1.82 86 | -1.54 79 | 5.1 80 | 4.8 79 | 6.5 74 | 8.7 67 | -7.0 43 | 40 52 | -62 53 | - | 3 55 | 8 54 | 4.40 55 | MMJ 00 0174 | JMP 000164 | | | 29 | 6 | 101 | 360 | 7-9 mde Dragtig KI: JMP 05-276, Opvolg: GBS 08-007 |
| | | | - | 38 | 03.04.05 | | | | | | | | | | | | - | - | | | 369 | 4 | 3 | 113 | |
| 3 | MARLOO BONSMARASTOET EDMS BPK | JMP 05 0458 P | SP | -0.93 85 | -0.73 76 | 10.0 80 | 3.4 78 | 12.3 68 | 13.1 65 | -15.0 48 | 101 58 | -106 58 | - | -3 63 | 2 61 | -1.10 62 | FCT 970024 | JMP 03 0076 P | | | 34 | 5 | 95 | 297 | 7-9 mde Dragtig JMP08-206 |
| | | | - | 41 | 02.12.05 | | | | | | | | | | | | - | - | | | 381 | 3 | 3 | 103 | |
| 4 | MARLOO BONSMARASTOET EDMS BPK | JMP 05 0258 | SP | -1.01 86 | 0.42 78 | 7.8 81 | 5.9 78 | 13.0 74 | 16.5 67 | 18.0 39 | 86 58 | -95 54 | - | 12 63 | 20 61 | -3.20 62 | AEJ 02 0067 | CEG 950172 | | | 24 | 5 | 108 | 371 | 7-9 mde Dragtig KI: AG 06-481, Opvolg: JMP 08-051 |
| | | | - | 31 | 19.09.05 | | | | | | | | | | | | - | - | | | 357 | 4 | 4 | 121 | |
| 5 | MARLOO BONSMARASTOET EDMS BPK | JMP 05 0190 | SP | 2.86 85 | -1.66 76 | 13.6 80 | 7.3 79 | 14.9 71 | 19.1 67 | -4.0 48 | 118 57 | -117 60 | - | 11 61 | 22 60 | 6.70 61 | MMJ 00 0174 | JMP 990243 | | | 35 | 5 | 118 | 361 | 7-9 mde Dragtig KI: JMP 06-345, Opvolg: JMP 08-158 |
| | | | - | 40 | 01.06.05 | | | | | | | | | | | | - | - | | | 431 | 3 | 3 | 97 | |
| 6 | MARLOO BONSMARASTOET EDMS BPK | JMP 06 0098 | SP | 0.86 85 | -0.13 77 | 11.6 80 | 3.4 76 | 14.0 73 | 17.1 69 | 2.0 43 | 51 58 | -70 56 | - | 11 60 | 17 60 | 15.50 60 | AG 020338 | JMP 96 0154 | | | 28 | 4 | 110 | 384 | 7-9 mde Dragtig KI: ZAK 04-046, Opvolg: JMP 08-242 |
| | | | - | 37 | 22.04.06 | | | | | | | | | | | | - | - | | | 353 | 3 | 2 | 115 | |
| 7 | MARLOO BONSMARASTOET EDMS BPK | JMP 07 0291 | SP | -1.66 83 | -0.83 69 | 5.8 78 | 2.8 72 | 9.2 67 | 11.1 64 | -2.0 38 | 33 50 | -57 54 | - | -5 57 | 0 55 | 11.60 56 | JMP 040248 | JMP 04 0084 P | | | 21 | 3 | 96 | 357 | 7-9 mde Dragtig KI: AG 06-481, Opvolg: JMP 08-214 |
| | | | - | 31 | 02.11.07 | | | | | | | | | | | | - | - | | | 395 | 2 | 2 | 127 | |
| 8 | MARLOO BONSMARASTOET EDMS BPK | JMP 07 0121 | SP | 0.37 83 | -0.10 68 | 19.7 77 | 6.5 72 | 25.3 65 | 31.4 62 | 15.0 27 | 169 49 | -149 56 | - | 17 57 | 38 55 | 21.60 56 | JMP 050244 | JMP 05 0025 | | | 23 | 3 | 102 | 391 | 7-9 mde Dragtig KI: AG 06-481, Opvolg: JMP 08-220 |
| | | | - | 33 | 10.09.07 | | | | | | | | | | | | - | - | | | 367 | 2 | 2 | 125 | |
| 9 | MARLOO BONSMARASTOET EDMS BPK | JMP 06 0036 | SP | 0.76 85 | -1.79 76 | 11.1 80 | 3.2 78 | 14.8 74 | 19.6 69 | -7.0 52 | 82 54 | -92 54 | - | 7 57 | 16 56 | 3.60 56 | MMJ 00 0174 | JMP 010161 | | | 29 | 5 | 110 | 313 | 7-9 mde Dragtig KI: JMP 06-345, Opvolg: JMP 08-220 |
| | | | - | 37 | 24.03.06 | | | | | | | | | | | | - | - | | | 401 | 3 | 3 | 110 | |

| | | | | | | | | | | | | |
|------|------|-----|-----|-----|----|-----|----|-----|---|---|----|-----|
| 0.38 | 0.04 | 7.6 | 3.3 | 9.6 | 12 | 3.7 | 81 | -89 | - | 3 | 12 | 7.6 |
|------|------|-----|-----|-----|----|-----|----|-----|---|---|----|-----|



BONSMARA BEESTELERSGENOOTSAP VAN SA

Saamgestel deur die Suid-Afrikaanse Stamboek- en Veeverbeteringsvereniging

Stamboom- en Prestasiedata korrek gesertifiseer

Veilingsdatum: 17/09/2011
Data soos op 09/09/2011 09:15:59

VROULIKE DIERE

| Lot | Verkoper | ID | Gec Toek | GEBORTE | | GROEIVERMOë | | | | | DOELTR | | MATES | | REP | OUERS | | REPRODUKSIE | | | | | TELER SE EIE OPMERKINGS | | |
|-----|----------|----|-------------|---------|---------|-------------|-----------|-----|-----|----------|--------|-----|-------|-----|-----|-------|---------|-------------|------|------|---------|-----|----------------------------|--------|---------|
| | | | | Geb Dir | Geb Mat | Speen Dir | Speen Mat | 12M | 18M | Volw Gew | GDT | VOV | GDI | Hgt | Lgt | SO | Vaar ID | Moer ID | Kalf | | OEK (m) | Oud | | Gem SI | Dae Oop |
| | | | | Akk | Akk | Dir | Mat | Akk | Akk | Akk | Akk | Akk | Akk | Akk | Akk | Akk | Akk | Akk | ID | Vaar | Gesl | Gew | | TKP | Kalw |

Dragtige Koeie

| | | | | | | | | | | | | | | | | | | | | | | | | | | |
|----|-------------------------------|---------------|----|-------------|-------------|------------|------------|------------|------------|-------------|-----------|------------|---|-----------|----------|-------------|-------------|---------------|--|--|-----|----|---|-----|-----|---|
| 10 | MARLOO BONSMARASTOET EDMS BPK | JMP 07 0125 | SP | -1.56 83 | -0.96 68 | 10.2 78 | 2.0 71 | 13.9 66 | 15.4 63 | -10.0 30 | 68 53 | -83 58 | - | -10 59 | 4 57 | 8.50 59 | BHE 050147 | JMP 05 0142 P | | | | 23 | 3 | 101 | 393 | 7-9 mde Dragtig KI: JMP 05-276, Opvolg: JMP 08-214 |
| | | | - | 29 | 11.09.07 | | | | | | | | | | | | | | | | 358 | 2 | 2 | 125 | | |
| 11 | MARLOO BONSMARASTOET EDMS BPK | JMP 07 0105 | SP | -0.22 83 | -0.11 68 | 15.3 77 | 3.9 71 | 20.5 68 | 25.9 63 | 16.0 30 | 86 47 | -95 48 | - | -1 51 | 18 50 | 18.70 51 | BHE 050147 | JMP 05 0247 | | | | 24 | 3 | 104 | 385 | 7-9 mde Dragtig KI: JMP 05-276, Opvolg: JMP 08-051 |
| | | | - | 30 | 06.09.07 | | | | | | | | | | | | | | | | 352 | 2 | 2 | 124 | | |
| 12 | MARLOO BONSMARASTOET EDMS BPK | JMP 07 0174 | SP | 0.39 84 | 0.10 70 | 8.5 79 | -0.2 72 | 10.7 70 | 12.8 64 | 9.0 31 | 36 50 | -58 53 | - | 7 54 | 12 53 | -0.30 53 | JMP 040144 | JMP 04 0105 | | | | 23 | 3 | 92 | 334 | 7-9 mde Dragtig JMP 08-206 Poena |
| | | | - | 33 | 26.09.07 | | | | | | | | | | | | | | | | 411 | 2 | 2 | 122 | | |
| 13 | MARLOO BONSMARASTOET EDMS BPK | JMP 07 0110 P | SP | -0.53 83 | 0.26 68 | 11.6 78 | 4.0 72 | 15.2 65 | 18.2 62 | 9.0 31 | 126 51 | -122 58 | - | 12 59 | 29 56 | 2.40 58 | JMP 050244 | JMP 05 0075 P | | | | 24 | 3 | 104 | 397 | 7-9 mde Dragtig KI: JMP 07-232, Opvolg: JMP 08-206 |
| | | | - | 34 | 07.09.07 | | | | | | | | | | | | | | | | 336 | 2 | 2 | 125 | | |
| 14 | MARLOO BONSMARASTOET EDMS BPK | JMP 07 0037 | SP | 1.21 83 | -0.38 69 | 11.6 79 | 5.5 73 | 13.2 68 | 16.8 66 | -1.0 42 | 104 53 | -108 54 | - | 5 60 | 17 58 | 12.90 58 | VV 010359 | JMP 010225 | | | | 29 | 3 | 113 | 356 | 7-9 mde Dragtig KI: FCT 05-127, Opvolg: JMP 08-051 |
| | | | - | 36 | 22.04.07 | | | | | | | | | | | | | | | | 367 | 2 | 2 | 113 | | |
| 15 | MARLOO BONSMARASTOET EDMS BPK | JMP 07 0205 | SP | 1.18 84 | 0.23 71 | 17.1 79 | 0.0 73 | 20.4 70 | 24.6 67 | 23.0 44 | 124 57 | -121 60 | - | 3 62 | 15 60 | 0.30 61 | AEJ 02 0067 | MCH 01 0060 | | | | 24 | 3 | 95 | 317 | 7-9 mde Dragtig KI: AG 06-481, Opvolg: JMP 08-242 |
| | | | - | 37 | 04.10.07 | | | | | | | | | | | | | | | | 381 | 2 | 2 | 122 | | |
| 16 | MARLOO BONSMARASTOET EDMS BPK | JMP 08 0032 | SP | 2.54 83 | -0.15 67 | 14.6 78 | 5.5 69 | 18.1 70 | 23.2 49 | 13.0 41 | 59 52 | -76 50 | - | 11 57 | 24 56 | 10.60 56 | MMJ 020150 | MCH 960031 | | | | 29 | 3 | 110 | 350 | 7-9 mde Dragtig KI: LMR 02-173, Opvolg: JMP 08-051 |
| | | | - | 41 | 16.04.08 | | | | | | | | | | | | | | | | - | 1 | 1 | 111 | | |
| 17 | MARLOO BONSMARASTOET EDMS BPK | JMP 08 0125 | SP | 2.05 82 | 0.73 63 | 13.7 78 | 6.4 63 | 15.0 69 | 18.2 45 | 12.0 27 | 98 51 | -103 53 | - | 12 54 | 24 53 | 11.20 54 | JMP 04 0076 | JMP 04 0411 | | | | 23 | 2 | 103 | 487 | 7-9 mde Dragtig KI: LMR 02-173, Opvolg: JMP 08-220 |
| | | | - | 40 | 18.05.08 | | | | | | | | | | | | | | | | - | 1 | 1 | 127 | | |
| 18 | MARLOO BONSMARASTOET EDMS BPK | JMP 08 0115 | SP | 0.27 83 | -0.64 66 | 6.2 78 | 5.6 68 | 6.8 68 | 7.9 50 | -8.0 41 | 58 58 | -75 61 | - | 0 64 | 12 62 | 0.70 61 | MMJ 020150 | JMP 99 0045 | | | | 22 | 2 | 102 | 540 | 7-9 mde Dragtig KI: FCT 05-127, Opvolg: JMP 08-242 |
| | | | - | 36 | 11.05.08 | | | | | | | | | | | | | | | | - | 1 | 1 | 132 | | |



BONSMARA CATTLE BREEDERS' SOCIETY OF SA

Compiled by the South African Stud Book and Livestock Improvement Association

Pedigree- and Performance data certified correct

Auction Date: 17/09/2011
Data as on 09/09/2011 09:16:06

FEMALE ANIMALS

| Lot | Seller | ID | Sex | BIRTH | | GROWTH RATE | | | | | | EFFICIEN | | MEASUR | | REP | PARENTS | | REPRODUCTION | | | | | | BREEDER OWN REMARKS |
|-----|--------|----|-----|-----------|-----------|-------------|----------|-----|-----|-----------|-----|----------|-----|--------|-----|-----|---------|--------|--------------|------|---------|------|--------|-----------|---------------------|
| | | | | Birth Dir | Birth Mat | Wean Dir | Wean Mat | 12M | 18M | Matur Wgt | ADG | FCR | DFI | Hgt | Lgt | SC | Sire ID | Dam ID | Calf | | AFC (m) | Age | Ave WI | Days Open | |
| | | | | Acc | Acc | Dir | Mat | Acc | Acc | Acc | Acc | Acc | Acc | Acc | Acc | Acc | Acc | Acc | ID | Sire | ICP | Calv | Calv | R.I. | |

Pregnant Cows

| | | | | | | | | | | | | | | | | | | | | | | | | | | | |
|----|-------------------------------|-------------|----|-------------|-------------|------------|------------|------------|------------|-------------|-----------|------------|---|----------|----------|-------------|-------------|------------------|--|--|--|--|----|---|-----|-----|---|
| 19 | MARLOO BONSMARASTOET EDMS BPK | JMP 08 0239 | SP | 1.99 83 | 0.31 67 | 15.0 78 | -2.4 70 | 19.0 71 | 22.4 57 | 14.0 47 | 64 56 | -79 48 | - | -5 58 | 11 58 | 8.20 58 | AG 01 0245 | MCH 03 0008 P | | | | | 25 | 2 | 96 | 320 | 7-9 mde Dragtig KI: AG 06-481, Opvolg: JMP 08-002 |
| | | | - | 36 | 25.09.08 | | | | | | | | | | | | - | - | | | | | - | 1 | 1 | 124 | |
| 20 | MARLOO BONSMARASTOET EDMS BPK | JMP 08 0226 | SP | 0.67 83 | -1.05 68 | 14.2 78 | 0.5 70 | 16.8 71 | 19.9 57 | -10.0 42 | 138 56 | -130 46 | - | 3 59 | 15 58 | 11.40 58 | PHR 030036 | MCH 04 0003 P | | | | | 22 | 2 | 107 | 400 | 7-9 mde Dragtig KI: JMP 05-276, Opvolg: JMP 08-215 |
| | | | - | 36 | 22.09.08 | | | | | | | | | | | | - | - | | | | | - | 1 | 1 | 131 | |
| 21 | MARLOO BONSMARASTOET EDMS BPK | JMP 08 0312 | SP | 0.42 83 | -0.82 63 | 18.3 78 | -0.2 64 | 22.7 69 | 26.7 49 | 6.0 27 | 264 53 | -204 54 | - | 12 56 | 32 55 | 5.10 56 | JMP 05 0276 | JMP 05 0432 | | | | | 22 | 2 | 98 | 373 | 7-9 mde Dragtig KI: AG 06-481, Opvolg: GBS 08-007 |
| | | | - | 31 | 21.10.08 | | | | | | | | | | | | - | - | | | | | - | 1 | 1 | 132 | |
| 22 | MARLOO BONSMARASTOET EDMS BPK | JMP 08 0111 | SP | -1.65 83 | -0.70 64 | 2.5 78 | 6.3 65 | 2.3 69 | 2.0 41 | -19.0 36 | 32 52 | -56 56 | - | -3 57 | 4 55 | 16.80 55 | JMP 04 0076 | JMP 01 0109 | | | | | 28 | 2 | 107 | 350 | 7-9 mde Dragtig KI: JMP 05-276, Opvolg: JMP 08-214 |
| | | | - | 34 | 10.05.08 | | | | | | | | | | | | - | - | | | | | - | 1 | 1 | 113 | |
| 23 | MARLOO BONSMARASTOET EDMS BPK | JMP 08 0022 | SP | -0.26 82 | -0.52 63 | 4.0 76 | 5.3 65 | 5.5 66 | 6.8 43 | -6.0 32 | 29 54 | -53 61 | - | 1 62 | 3 59 | 11.90 57 | JMP 050144 | JMP 970113 | | | | | 23 | 2 | 105 | 530 | 7-9 mde Dragtig KI: JMP 08-206, Opvolg: JMP 08-206 |
| | | | - | 33 | 12.04.08 | | | | | | | | | | | | - | - | | | | | - | 1 | 1 | 128 | |
| 24 | MARLOO BONSMARASTOET EDMS BPK | JMP 08 0071 | SP | -0.06 83 | 0.38 67 | 6.2 77 | 3.6 68 | 8.2 70 | 10.4 58 | -1.0 46 | 25 54 | -51 53 | - | 0 56 | 7 55 | 4.90 56 | AG 020338 | JMP 05 0428 | | | | | 28 | 2 | 98 | 386 | 7-9 mde Dragtig KI: JMP 06-345, Opvolg: JMP 08-215 |
| | | | - | 34 | 24.04.08 | | | | | | | | | | | | - | - | | | | | - | 1 | 1 | 115 | |
| 25 | MARLOO BONSMARASTOET EDMS BPK | JMP 08 0277 | SP | -1.09 83 | -0.76 61 | 9.8 78 | -4.4 63 | 12.7 69 | 13.2 49 | -6.0 27 | 207 52 | -172 53 | - | 2 54 | 16 54 | 2.70 54 | JMP 05 0276 | JMP 050285 | | | | | 22 | 2 | 100 | 373 | 7-9 mde Dragtig KI: AG 06-481, Opvolg: JMP 08-220 |
| | | | - | 31 | 08.10.08 | | | | | | | | | | | | - | - | | | | | - | 1 | 1 | 130 | |
| 26 | MARLOO BONSMARASTOET EDMS BPK | JMP 08 0149 | SP | 0.88 82 | -0.29 62 | 3.2 76 | 1.4 63 | 2.8 65 | 3.5 44 | 1.0 37 | 5 46 | -35 48 | - | 1 52 | 1 50 | 13.50 50 | JMP 050144 | JMP 05 0405 | | | | | 26 | 2 | 108 | 366 | 7-9 mde Dragtig KI: JMP 05-276, Opvolg: JMP 08-220 |
| | | | - | 34 | 17.06.08 | | | | | | | | | | | | - | - | | | | | - | 1 | 1 | 118 | |

| | | | | | | | | | | | | |
|------|------|-----|-----|-----|----|-----|----|-----|---|---|----|-----|
| 0.38 | 0.04 | 7.6 | 3.3 | 9.6 | 12 | 3.7 | 81 | -89 | - | 3 | 12 | 7.6 |
|------|------|-----|-----|-----|----|-----|----|-----|---|---|----|-----|



BONSMARA BEESTELERSGENOOTSAP VAN SA

Saamgestel deur die Suid-Afrikaanse Stamboek- en Veeverbeteringsvereniging

Stamboom- en Prestasiedata korrek gesertifiseer

Veilingsdatum: 17/09/2011
Data soos op 09/09/2011 09:16:11

BULLE

| Lot | Verkoper | ID | Afd | Fase | GEBORTE | | GROEIVERMOË | | | | | DOELTREFF | | | MATES | | | REPROD | | OUERS | | | | | | TELER SE EIE OPMERKINGS | |
|------|-------------------------------|-------------|-------|------|-------------|-------------|-------------|------------|------------|------------|-------------|-----------|------------|------|--------------|----------|----------|----------|-------------|------------|-------------|---------------|---------|-----|--------|----------------------------|------|
| | | | | | Geb Dir | Geb Mat | Speen Dir | Speen Mat | 12M | 18M | Volw Gew | GDT | VOV | GDI | Voer Wins | Hgt | Lgt | Vel (mm) | Kalf Temp | SO | Vaar | | Moer | | | | |
| | | | | | Akk | Akk | Akk | Akk | Akk | Akk | Akk | Akk | Akk | Akk | Akk | Akk | Akk | Akk | Akk | Akk | ID | ID | OEK (m) | Oud | Gem SI | | R.I. |
| Toek | Tydg | Gew | Datum | Gew | Ind | Ind | Ind | Ind | Ind | Ind | Ind | Ind | (mm) | (mm) | L:H | (mm) | Toek | Toek | TKP | Kalw | Kalf | | | | | | |
| 27 | MARLOO BONSMARASTOET EDMS BPK | JMP 08 0336 | SP | C | -0.58 81 | -0.48 51 | 2.5 75 | 2.1 49 | 4.3 50 | 4.7 41 | -11.0 24 | 102 63 | -106 74 | - | 63.61 71 | 0 74 | 13 70 | 17 | 44.00 10 | 5.2 73 | JMP 050332 | JMP 05 0238 | 23 | 6 | 99 | 111 | |
| | | | | 39 | 34 | 26.10.08 | 252 | 94 | | | | 97 | 98 | | | 1174 | 1415 | 1.21 | | 309 | - | - | 443 | 4 | 2 | | |
| 28 | MARLOO BONSMARASTOET EDMS BPK | JMP 08 0421 | SP | C | -2.62 81 | -0.76 59 | 2.9 75 | 1.6 58 | 2.0 57 | 0.5 51 | -14.0 35 | 45 66 | -65 74 | - | 37.29 72 | 2 76 | 10 72 | 19 | 37.00 10 | 6.4 75 | JMP 010117 | JMP 00 0061 | 38 | 10 | 100 | 96 | |
| | | | | 39 | 29 | 20.11.08 | 249 | 108 | | | | 101 | 102 | | | 1179 | 1394 | 1.18 | | 309 | - | - | 429 | 7 | 7 | | |
| 29 | MARLOO BONSMARASTOET EDMS BPK | JMP 08 0426 | SP | C | -1.08 81 | -0.28 50 | 10.0 74 | 2.4 49 | 12.5 51 | 15.8 44 | 6.0 28 | 53 64 | -72 73 | - | 44.78 71 | 7 75 | 17 71 | 15 | 58.00 10 | 4.2 74 | JMP 04 0111 | MCH 04 0094 | 37 | 7 | 91 | 96 | |
| | | | | 39 | 34 | 22.11.08 | 244 | 103 | | | | 99 | 115 | | | 1180 | 1376 | 1.17 | | 312 | - | - | 421 | 4 | 3 | | |
| 30 | MARLOO BONSMARASTOET EDMS BPK | JMP 08 0350 | SP | C | -2.85 81 | 0.54 51 | 0.9 74 | -0.2 52 | 1.3 51 | 0.1 44 | 3.0 30 | 28 63 | -53 73 | - | 32.91 70 | -9 74 | -7 70 | 20 | 50.00 10 | 4.6 73 | JMP 050311 | JMP 060157 | 26 | 3 | 91 | 117 | |
| | | | | 39 | 29 | 28.10.08 | 227 | 91 | | | | 99 | 100 | | | 1145 | 1347 | 1.18 | | 316 | - | - | 378 | 2 | 2 | | |
| 31 | MARLOO BONSMARASTOET EDMS BPK | JMP 08 0431 | SP | C | 1.80 81 | 0.07 55 | 6.8 75 | 2.6 55 | 9.2 55 | 12.5 49 | 13.0 30 | 60 65 | -77 74 | - | 49.27 72 | 8 75 | 16 72 | 16 | 68.00 10 | -1.2 74 | JMP 040144 | JMP 04 0406 | 34 | 6 | 98 | 107 | |
| | | | | 39 | 42 | 28.11.08 | 234 | 94 | | | | 94 | 111 | | | 1204 | 1390 | 1.15 | | 313 | - | - | 365 | 4 | 4 | | |
| 32 | MARLOO BONSMARASTOET EDMS BPK | JMP 08 0363 | SP | C | -2.39 81 | -0.73 56 | 3.1 76 | 3.2 55 | 3.8 55 | 3.7 50 | -14.0 33 | 85 65 | -95 74 | - | 45.25 72 | 3 75 | 17 71 | 17 | 57.00 10 | 21.9 74 | JMP 010117 | JMP 050314 | 24 | 5 | 100 | 121 | |
| | | | | 39 | 31 | 30.10.08 | 241 | 90 | | | | 107 | 104 | | | 1167 | 1388 | 1.19 | | 341 | - | - | 360 | 4 | 3 | | |
| 33 | MARLOO BONSMARASTOET EDMS BPK | JMP 08 0215 | SP | C | 2.17 93 | -0.83 55 | 20.8 84 | 0.1 53 | 24.8 58 | 29.2 49 | 7.0 28 | 300 66 | -223 75 | - | 187.41 72 | 23 76 | 44 72 | 15 | 54.00 10 | 16.9 75 | JMP 05 0276 | JMP 05 0348 P | 23 | 5 | 101 | 121 | |
| | | | | 63 | 36 | 20.09.08 | 261 | 97 | | | | 109 | 126 | | | 1210 | 1436 | 1.19 | | 348 | - | - | 375 | 4 | 3 | | |
| 34 | MARLOO BONSMARASTOET EDMS BPK | JMP 09 0057 | SP | C | 0.81 81 | 0.66 51 | 7.4 75 | 5.5 50 | 8.9 52 | 11.3 42 | 10.0 37 | 118 63 | -117 73 | - | 76.02 71 | 19 75 | 30 71 | 16 | 56.00 10 | 14.3 74 | JMP 060050 | MCH 05 0031 | 26 | 6 | 105 | 109 | |
| | | | | 80 | 39 | 23.04.09 | 262 | 108 | | | | 101 | 101 | | | 1209 | 1436 | 1.19 | | 347 | - | - | 430 | 4 | 3 | | |

| | | | | | | | | | | | | | | | |
|------|------|-----|-----|-----|----|-----|----|-----|---|------|---|----|--|------|-----|
| 0.38 | 0.04 | 7.6 | 3.3 | 9.6 | 12 | 3.7 | 81 | -89 | - | 55.6 | 3 | 12 | | 40.4 | 7.6 |
|------|------|-----|-----|-----|----|-----|----|-----|---|------|---|----|--|------|-----|



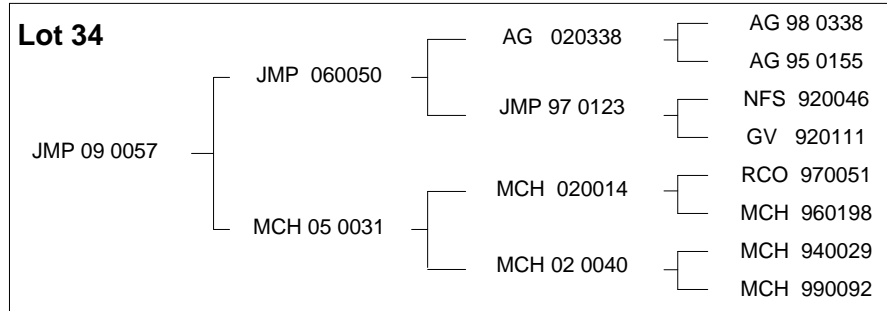
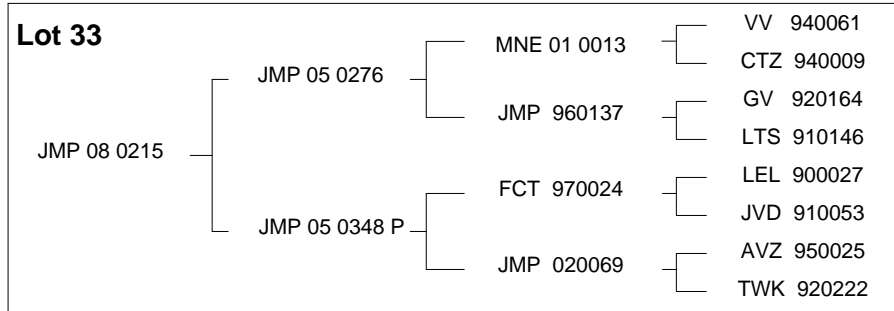
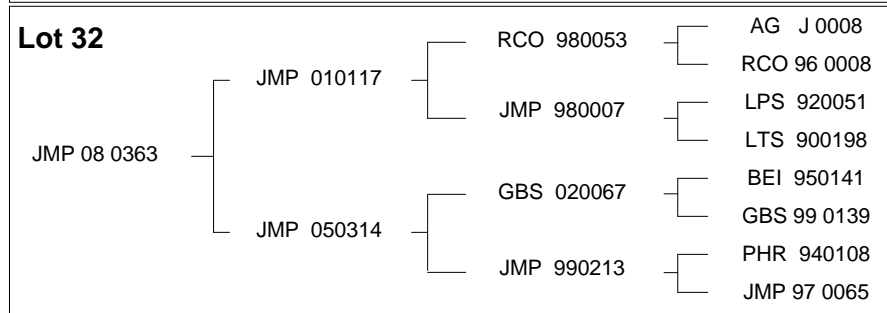
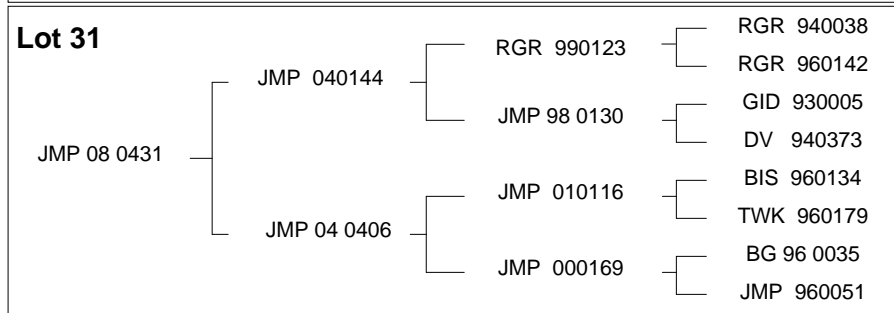
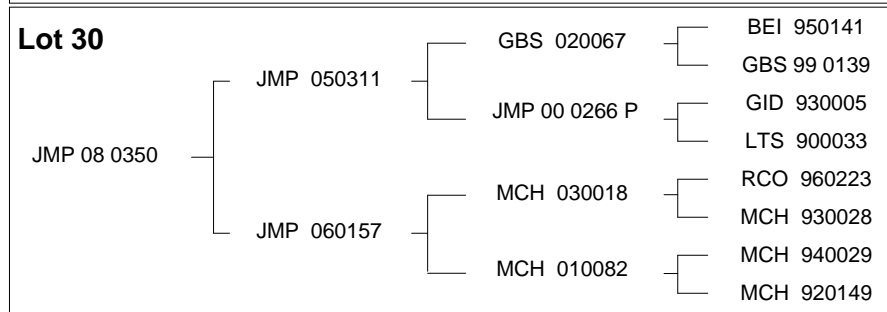
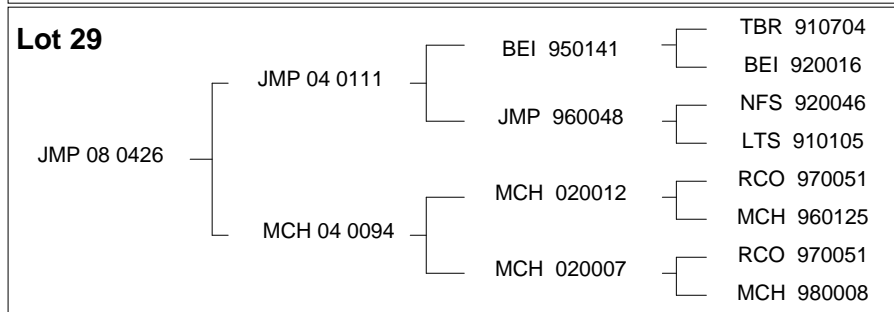
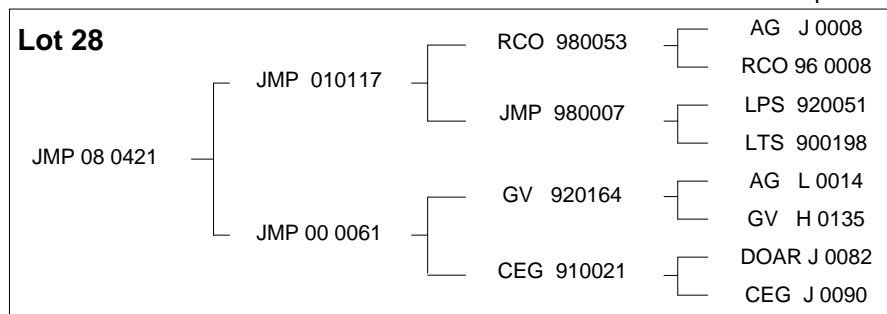
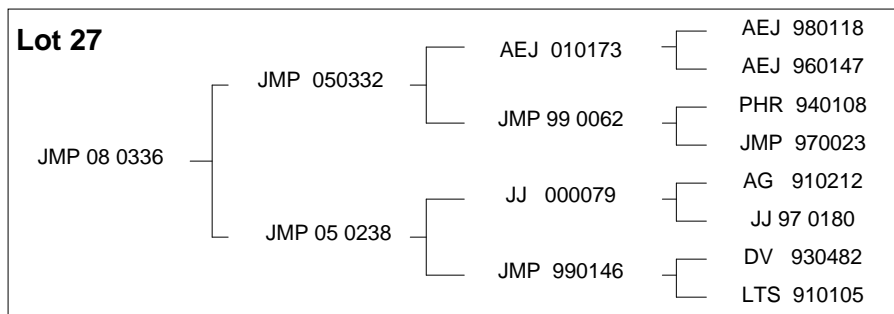
BONSMARA BEESTELERSGENOOTSAP VAN SA

Saamgestel deur die Suid-Afrikaanse Stamboek- en Veeverbeteringsvereniging

Stamboom- en Prestasiedata korrek gesertifiseer

Veilingsdatum: 17/09/2011

Data soos op 09/09/2011 09:16:11



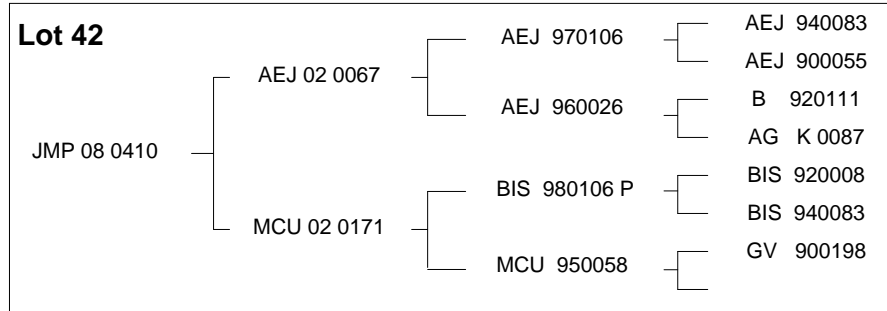
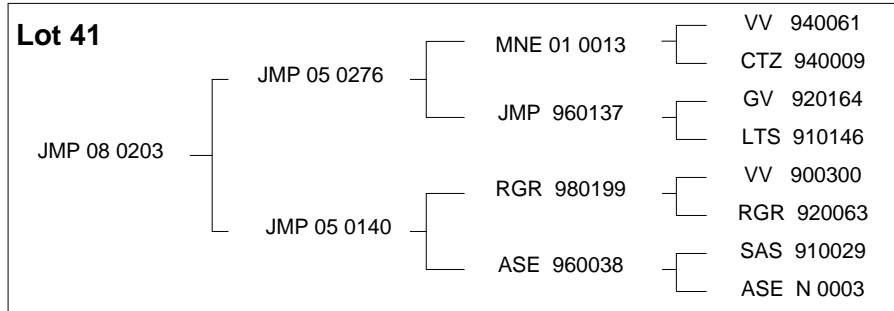
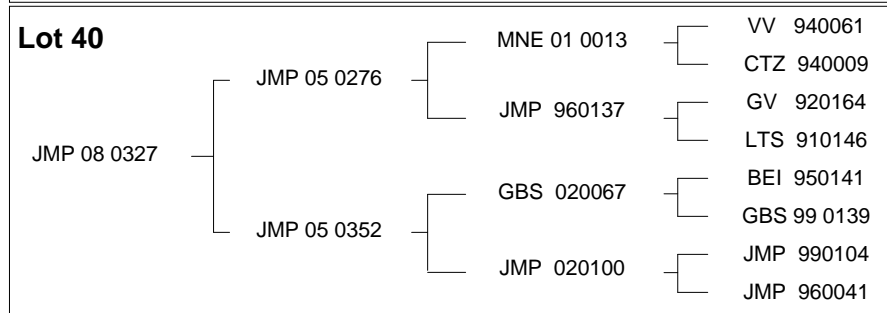
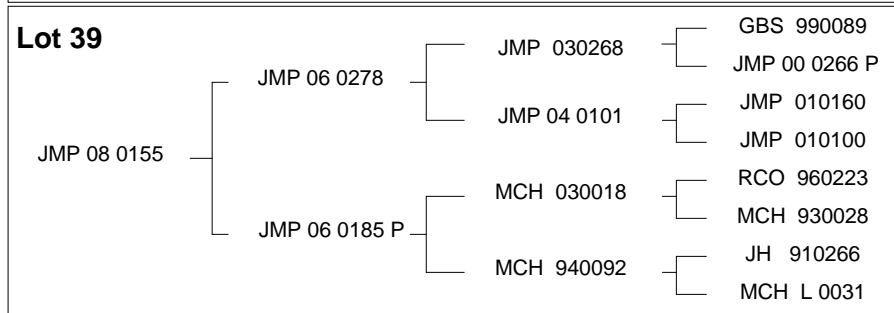
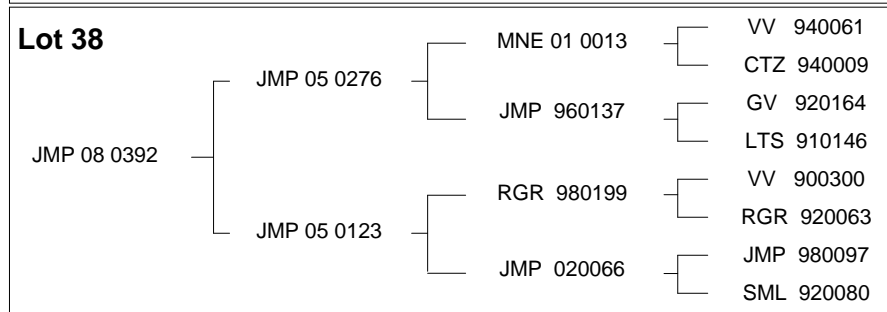
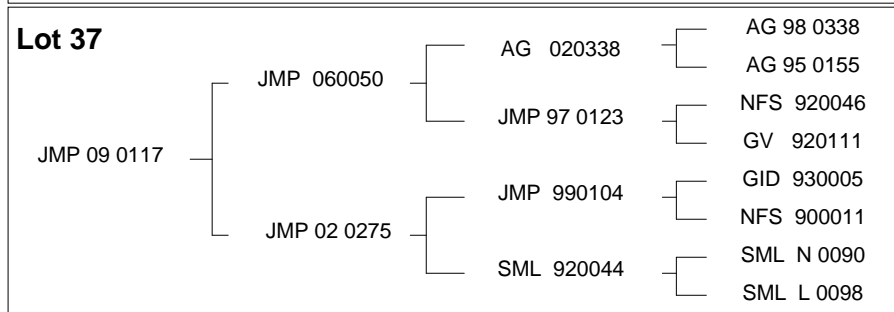
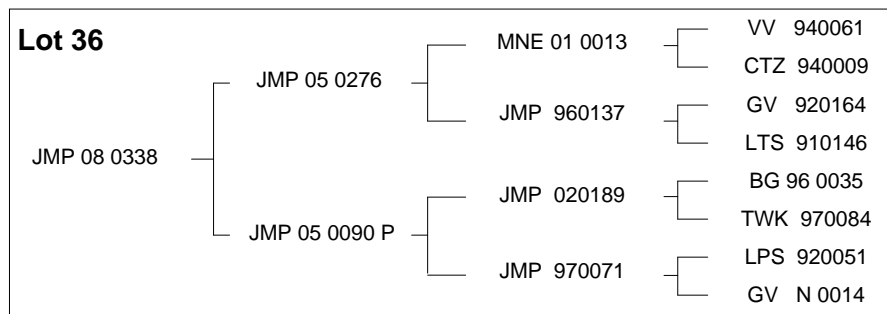
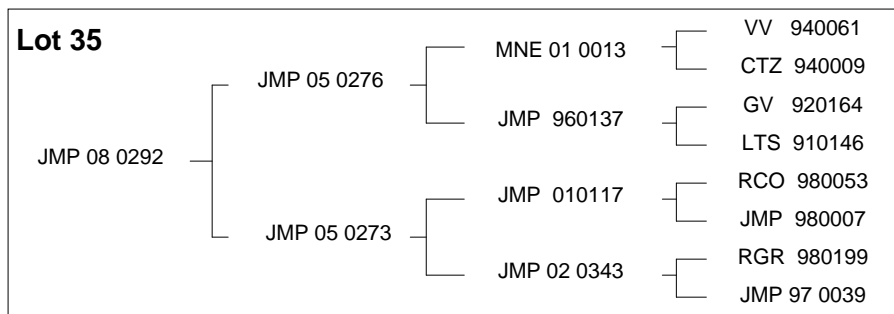


BONSMARA CATTLE BREEDERS' SOCIETY OF SA

Compiled by the South African Stud Book and Livestock Improvement Association

Pedigree- and Performance data certified correct

Auction Date: 17/09/2011
Data as on 09/09/2011 09:16:16





BONSMARA BEESTELERSGENOOTSAP VAN SA

Saamgestel deur die Suid-Afrikaanse Stamboek- en Veeverbeteringsvereniging

Stamboom- en Prestasiedata korrek gesertifiseer

Veilingsdatum: 17/09/2011
Data soos op 09/09/2011 09:16:19

BULLE

| Lot | Verkoper | ID | Afd | Fase | GEBORTE | | GROEIVERMOË | | | | | DOELTREFF | | | MATES | | | REPROD | | OUERS | | | | | | TELER SE EIE OPMERKINGS | |
|------|-------------------------------|-------------|-------|------|-------------|-------------|-------------|------------|------------|------------|-------------|-----------|------------|-----|--------------|----------|----------|----------|-------------|------------|-------------|---------------|---------|------|--------|----------------------------|------|
| | | | | | Geb Dir | Geb Mat | Speen Dir | Speen Mat | 12M | 18M | Volw Gew | GDT | VOV | GDI | Voer Wins | Hgt | Lgt | Vel (mm) | Kalf Temp | SO | Vaar | | Moer | | | | |
| | | | | | Akk | Akk | Akk | Akk | Akk | Akk | Akk | Akk | Akk | Akk | Akk | Akk | Akk | Akk | Akk | Akk | ID | ID | OEK (m) | Oud | Gem SI | | R.I. |
| Toek | Tydg | Gew | Datum | Gew | Ind | Ind | Ind | Ind | Ind | Ind | Ind | Ind | Ind | Ind | Ind | (mm) | (mm) | L:H | (mm) | Toek | Toek | TKP | Kalw | Kalf | | | |
| 43 | MARLOO BONSMARASTOET EDMS BPK | JMP 08 0166 | SP | C | -0.70 81 | 0.51 52 | 11.0 74 | 1.6 52 | 14.3 51 | 18.0 44 | 18.0 15 | 75 63 | -87 74 | - | 52.71 71 | 0 75 | 6 71 | 14 | 72.00 10 | 18.8 74 | JMP 050311 | JMP 06 0041 | 29 | 5 | 93 | 112 | |
| | | | | 63 | 35 | 30.08.08 | 239 | 93 | | | | 95 | 91 | | | 1168 | 1380 | 1.18 | | 355 | - | - | 383 | 3 | 3 | | |
| 44 | MARLOO BONSMARASTOET EDMS BPK | JMP 08 0418 | SP | C | 1.80 81 | -0.10 59 | 12.6 75 | -1.5 57 | 14.1 54 | 17.5 51 | 21.0 36 | 9 65 | -38 74 | - | 27.86 72 | 3 75 | 0 72 | 16 | 40.00 10 | -2.4 74 | JMP 040144 | MCH 00 0005 P | 29 | 11 | 99 | 109 | |
| | | | | 39 | 42 | 17.11.08 | 254 | 104 | | | | 107 | 112 | | | 1187 | 1352 | 1.14 | | 307 | - | - | 396 | 9 | 6 | | |
| 45 | MARLOO BONSMARASTOET EDMS BPK | JMP 08 0423 | SP | C | 0.86 81 | 0.14 56 | 10.9 74 | 2.4 55 | 12.0 53 | 14.7 47 | 17.0 42 | 175 64 | -153 73 | - | 103.96 71 | 8 75 | 26 71 | 14 | 50.00 10 | 11.1 74 | VV 020064 | MCH 01 0060 | 37 | 10 | 104 | 88 | |
| | | | | 39 | 40 | 20.11.08 | 258 | 107 | | | | 120 | 109 | | | 1199 | 1424 | 1.19 | | 319 | - | - | 482 | 6 | 4 | | |
| 46 | MARLOO BONSMARASTOET EDMS BPK | JMP 08 0364 | SP | C | -0.98 82 | -0.44 56 | -0.2 77 | 3.3 55 | -1.1 57 | -2.0 46 | -24.0 30 | 55 66 | -73 74 | - | 30.53 72 | 1 76 | 9 73 | 18 | 42.00 10 | 13.1 75 | JMP 04 0076 | MCH 03 0181 | 33 | 7 | 100 | 109 | |
| | | | | 39 | 32 | 31.10.08 | 252 | 94 | | | | 96 | 112 | | | 1167 | 1399 | 1.2 | | 329 | - | - | 369 | 5 | 5 | | |
| 47 | MARLOO BONSMARASTOET EDMS BPK | JMP 08 0388 | SP | C | 0.47 81 | -0.64 56 | 9.8 76 | 1.8 54 | 10.0 55 | 11.2 49 | -5.0 31 | 27 64 | -52 73 | - | 12.55 71 | 1 75 | 8 71 | 18 | 33.00 10 | 16.6 74 | JMP 010117 | MCH 03 0213 | 32 | 7 | 102 | 108 | |
| | | | | 39 | 34 | 06.11.08 | 266 | 100 | | | | 102 | 96 | | | 1171 | 1374 | 1.17 | | 350 | - | - | 381 | 5 | 3 | | |
| 48 | MARLOO BONSMARASTOET EDMS BPK | JMP 08 0082 | SP | C | -0.47 81 | -0.54 54 | 7.3 76 | 1.1 53 | 9.1 55 | 10.7 49 | 0.0 34 | -29 65 | -8 73 | - | -9.46 71 | -7 75 | -5 72 | 14 | 35.00 10 | 8.4 74 | JMP 010117 | MCH 040066 | 31 | 4 | 105 | 109 | |
| | | | | 30 | 32 | 28.04.08 | 217 | 99 | | | | 97 | 128 | | | 1141 | 1326 | 1.16 | | 356 | - | - | 350 | 2 | 2 | | |
| 49 | MARLOO BONSMARASTOET EDMS BPK | JMP 08 0247 | SP | C | 1.03 81 | -0.99 54 | 18.8 76 | -1.3 53 | 23.6 56 | 28.3 41 | 10.0 24 | 220 65 | -180 75 | - | 123.13 72 | 9 76 | 25 72 | 15 | 52.00 10 | 7.9 75 | JMP 05 0276 | JHO 05 0012 | 29 | 5 | 100 | 114 | |
| | | | | 63 | 36 | 29.09.08 | 286 | 107 | | | | 92 | 98 | | | 1196 | 1422 | 1.19 | | 333 | - | - | 365 | 4 | 4 | | |
| 50 | MARLOO BONSMARASTOET EDMS BPK | JMP 08 0254 | SP | C | -1.11 82 | -0.79 56 | 7.4 77 | 4.0 55 | 7.0 57 | 6.2 46 | -23.0 31 | 71 65 | -85 75 | - | 6.14 73 | 11 76 | 25 72 | 17 | 54.00 10 | 25.4 75 | JMP 04 0076 | JMP 03 0316 | 25 | 7 | 104 | 104 | |
| | | | | 63 | 32 | 01.10.08 | 273 | 104 | | | | 98 | 108 | | | 1227 | 1444 | 1.18 | | 362 | - | - | 462 | 5 | 5 | | |

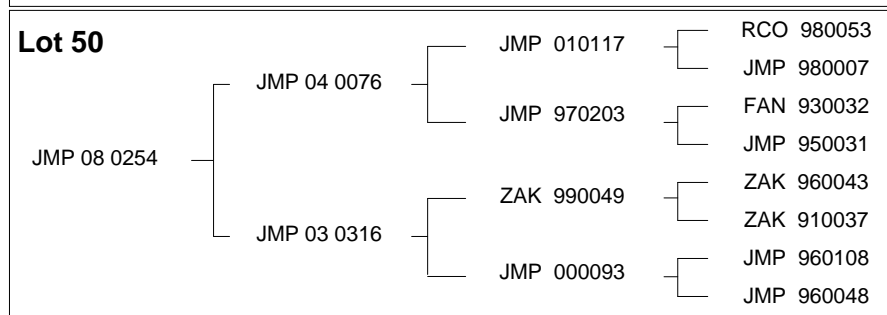
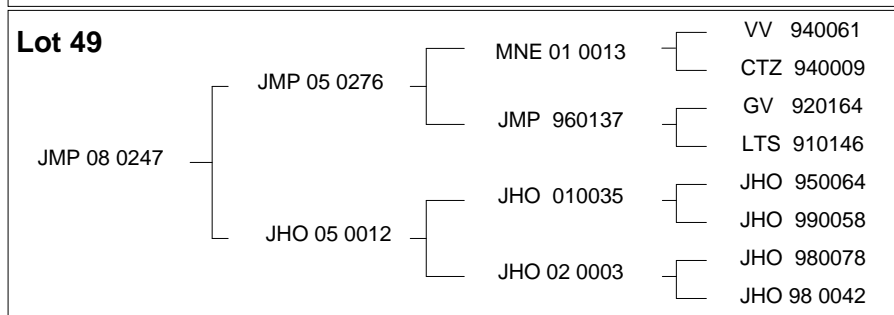
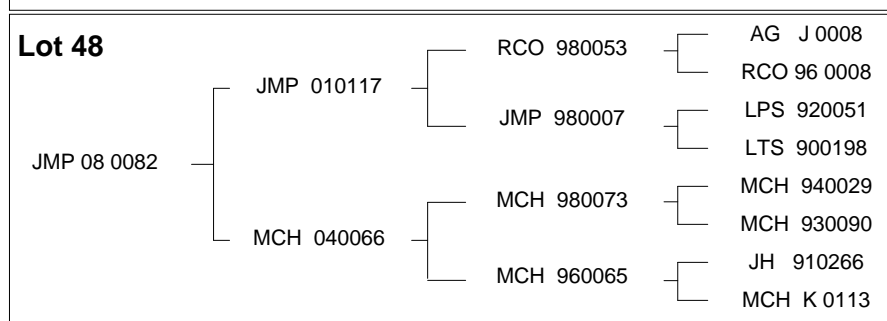
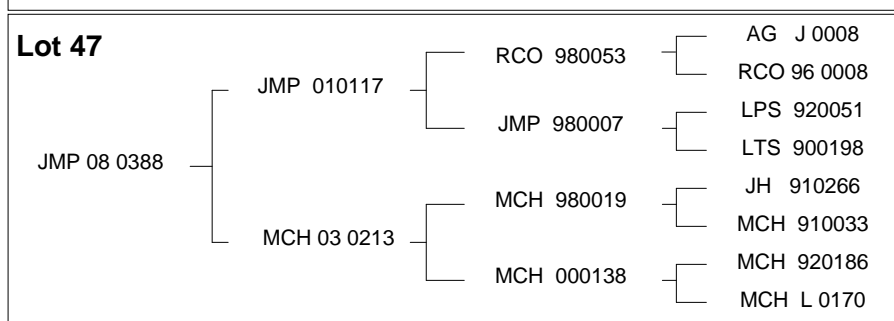
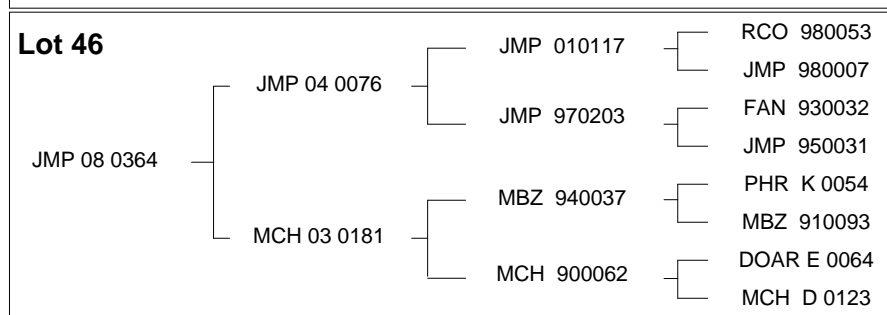
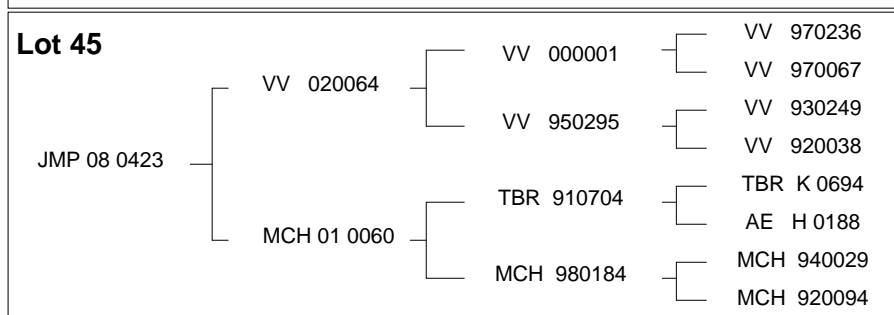
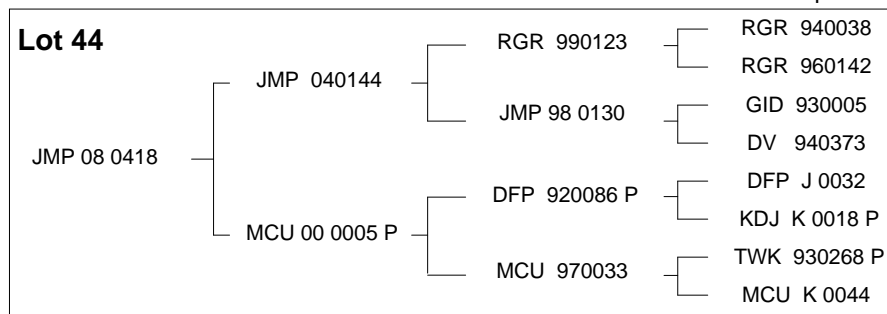
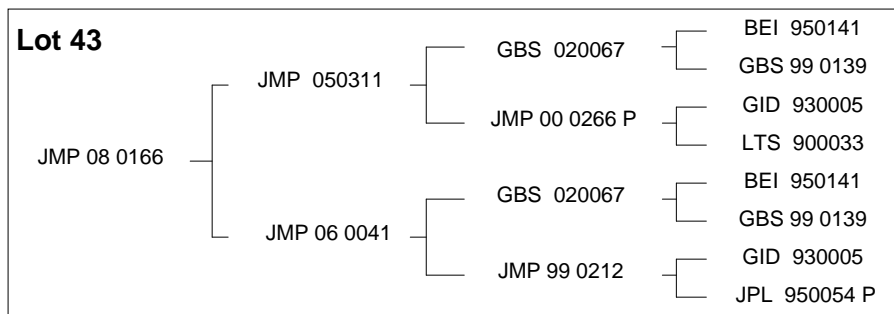


BONSMARA BEESTELERSGENOOTSAP VAN SA

Saamgestel deur die Suid-Afrikaanse Stamboek- en Veeverbeteringsvereniging

Stamboom- en Prestasiedata korrek gesertifiseer

Veilingsdatum: 17/09/2011
Data soos op 09/09/2011 09:16:19





BONSMARA CATTLE BREEDERS' SOCIETY OF SA

Compiled by the South African Stud Book and Livestock Improvement Association

Pedigree- and Performance data certified correct

Auction Date: 17/09/2011
Data as on 09/09/2011 09:16:25

BULLS

| Lot | Seller | ID | Sec | Phase | BIRTH | | GROWTH RATE | | | | | EFFICIENCY | | | MEASURE | | | REPROD | | PARENTS | | | | | | BREEDER OWN REMARKS | |
|-----|-------------------------------|-------------|------|-------|-------------|-------------|-------------|------------|------------|------------|-------------|------------|------------|-----|--------------|----------|----------|-----------|-------------|------------|-------------|---------------|------|--------|------|---------------------|--|
| | | | | | Birth Dir | Birth Mat | Wean Dir | Wean Mat | 12M | 18M | Matur Wgt | ADG | FCR | DFI | Feed Prof | Hgt | Lgt | Skin (mm) | Calf Temp | SC | Sire | | Dam | | | | |
| | | | | | Acc | Acc | Acc | Acc | Acc | Acc | Acc | Acc | Acc | Acc | Acc | Acc | Acc | Acc | Acc | ID | ID | AFC (m) | Age | Ave WI | R.I. | | |
| Aw | Cont | Wgt | Date | Wgt | Ind | Ind | Ind | Ind | Ind | Ind | Ind | Ind | Ind | Ind | Ind | (mm) | (mm) | L:H | (mm) | Aw | Aw | ICP | Calv | Calv | | | |
| 51 | MARLOO BONSMARASTOET EDMS BPK | JMP 07 0186 | SP | C | 2.07 81 | -0.77 56 | 13.3 76 | -1.1 56 | 16.7 55 | 20.7 51 | 11.0 37 | 53 65 | -72 74 | - | 31.76 72 | 0 75 | 11 72 | 17 | 71.00 10 | 17.5 74 | VV 030159 | JMP 040394 | 34 | 5 | 93 | 104 | |
| | | | | 45 | 38 | 01.10.07 | 247 | 100 | | | | 92 | 103 | | | 1193 | 1401 | 1.17 | | 362 | - | - | 377 | 3 | 3 | | |
| 52 | MARLOO BONSMARASTOET EDMS BPK | JMP 08 0366 | SP | C | -0.84 82 | -0.38 59 | 10.3 76 | 3.1 60 | 11.5 54 | 12.0 49 | -16.0 41 | 49 66 | -68 74 | - | 41.67 72 | 2 76 | 13 73 | 21 | 68.00 10 | -0.6 75 | AEJ 02 0067 | JMP 03 0076 P | 31 | 8 | 99 | 100 | |
| | | | | 63 | 34 | 31.10.08 | 275 | 104 | | | | 98 | 111 | | | 1195 | 1386 | 1.16 | | 310 | - | - | 450 | 5 | 5 | | |
| 53 | MARLOO BONSMARASTOET EDMS BPK | JMP 08 0180 | SP | C | 1.44 81 | 0.13 54 | 12.2 75 | 6.6 54 | 14.6 52 | 18.9 45 | 7.0 34 | 94 65 | -101 75 | - | 56.43 72 | 2 75 | 14 72 | 17 | 82.00 10 | 16.7 75 | JMP 050311 | JMP 06 0027 | 29 | 5 | 108 | 111 | |
| | | | | 63 | 38 | 10.09.08 | 258 | 101 | | | | 98 | 93 | | | 1174 | 1388 | 1.18 | | 352 | - | - | 380 | 3 | 3 | | |
| 54 | MARLOO BONSMARASTOET EDMS BPK | JMP 08 0367 | SP | C | -0.14 81 | -0.03 57 | 10.2 76 | 4.5 56 | 11.8 56 | 13.7 50 | 6.0 31 | 113 64 | -113 73 | - | 55.12 71 | 5 75 | 21 71 | 18 | 46.00 10 | 26.9 74 | JMP 010117 | JMP 04 0258 | 23 | 6 | 106 | 104 | |
| | | | | 39 | 36 | 31.10.08 | 274 | 102 | | | | 107 | 102 | | | 1167 | 1379 | 1.18 | | 355 | - | - | 500 | 4 | 5 | | |
| 55 | MARLOO BONSMARASTOET EDMS BPK | JMP 09 0114 | SP | C | -0.18 81 | -0.65 54 | -2.3 76 | 2.9 53 | -3.2 55 | -3.5 41 | -12.0 28 | 84 65 | -94 75 | - | 55.82 72 | 32 76 | 27 72 | 16 | 46.00 10 | 28.3 75 | JMP 060050 | JMP 00 0184 | 34 | 11 | 99 | 105 | |
| | | | | 80 | 35 | 19.05.09 | 224 | 91 | | | | 94 | 90 | | | 1294 | 1416 | 1.09 | | 357 | - | - | 398 | 8 | 7 | | |
| 56 | MARLOO BONSMARASTOET EDMS BPK | JMP 08 0200 | SP | C | 1.01 81 | -1.02 49 | 13.4 76 | 0.1 48 | 17.0 56 | 20.1 47 | 0.0 25 | 300 65 | -223 74 | - | 159.01 72 | 16 75 | 40 72 | 19 | 34.00 10 | 4.9 74 | JMP 05 0276 | JMP 050421 P | 34 | 3 | 91 | 95 | |
| | | | | 63 | 36 | 16.09.08 | 248 | 91 | | | | 110 | 97 | | | 1198 | 1443 | 1.2 | | 320 | - | - | - | 1 | 1 | | |
| 57 | MARLOO BONSMARASTOET EDMS BPK | JMP 08 0333 | SP | C | -0.41 81 | -0.33 51 | 4.7 75 | 2.0 49 | 5.6 49 | 5.6 39 | - | 128 62 | -123 73 | - | 77.39 70 | 5 74 | 17 70 | 20 | 50.00 10 | 12.6 73 | JMP 050332 | JMP 05 0261 | 23 | 5 | 102 | 120 | |
| | | | | 39 | 32 | 25.10.08 | 266 | 100 | | | | 102 | 96 | | | 1174 | 1375 | 1.17 | | 335 | - | - | 374 | 4 | 4 | | |
| 58 | MARLOO BONSMARASTOET EDMS BPK | JMP 09 0100 | SP | C | -1.29 81 | 0.06 55 | 10.2 76 | 2.7 53 | 10.0 52 | 10.0 45 | -2.0 36 | 168 66 | -149 75 | - | 82.56 73 | 18 76 | 34 73 | 14 | 51.00 10 | 7.0 75 | JMP 04 0076 | JMP 04 0237 | 26 | 7 | 107 | 112 | |
| | | | | 80 | 34 | 10.05.09 | 261 | 110 | | | | 95 | 101 | | | 1219 | 1409 | 1.16 | | 314 | - | - | 406 | 5 | 4 | | |

| | | | | | | | | | | | | | | | |
|------|------|-----|-----|-----|----|-----|----|-----|---|------|---|----|--|------|-----|
| 0.38 | 0.04 | 7.6 | 3.3 | 9.6 | 12 | 3.7 | 81 | -89 | - | 55.6 | 3 | 12 | | 40.4 | 7.6 |
|------|------|-----|-----|-----|----|-----|----|-----|---|------|---|----|--|------|-----|

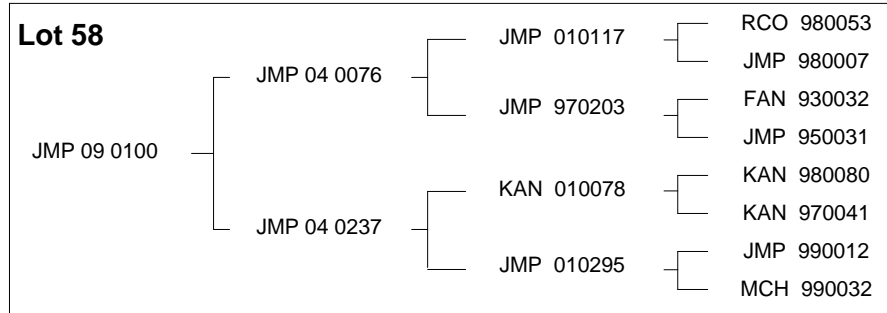
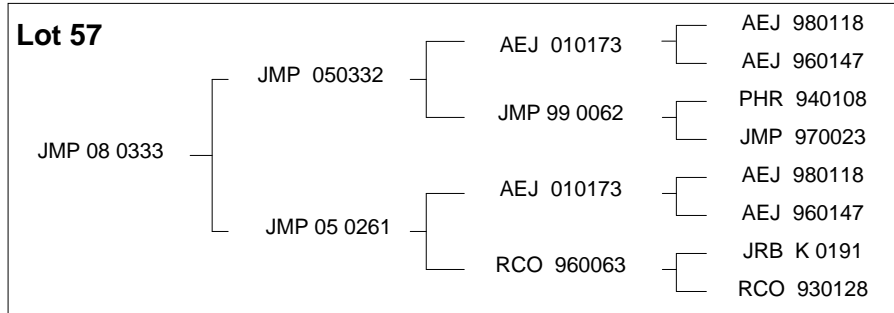
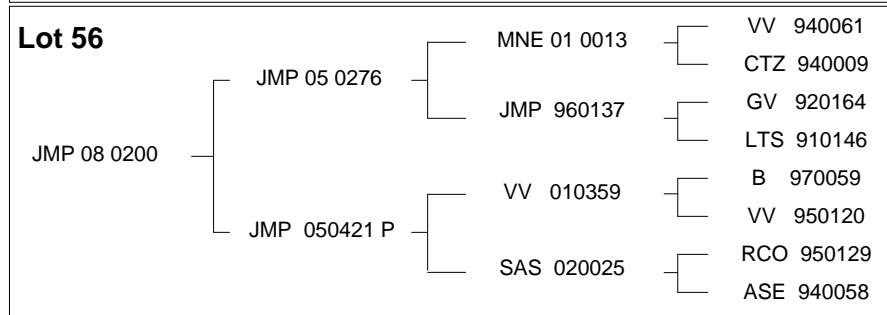
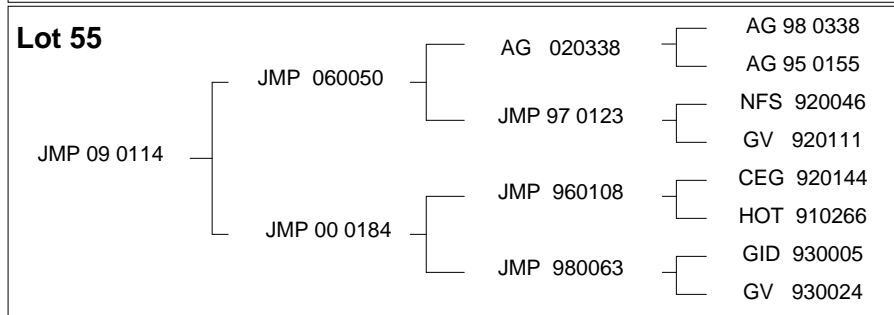
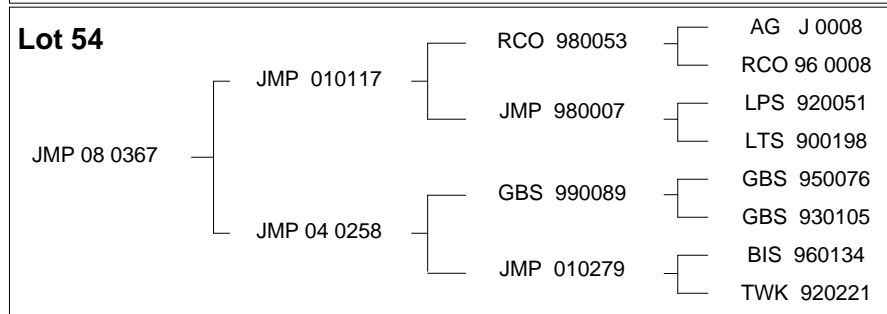
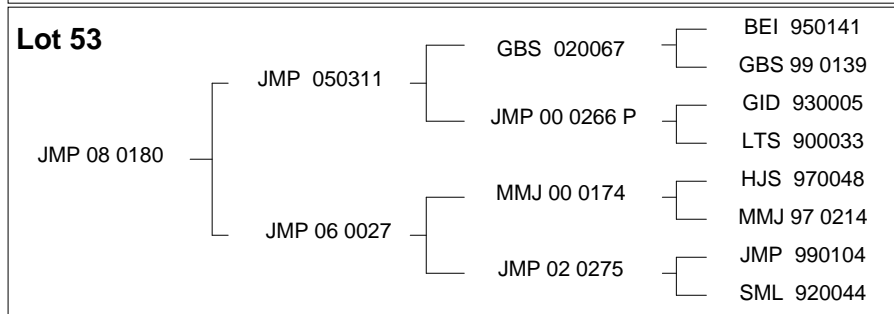
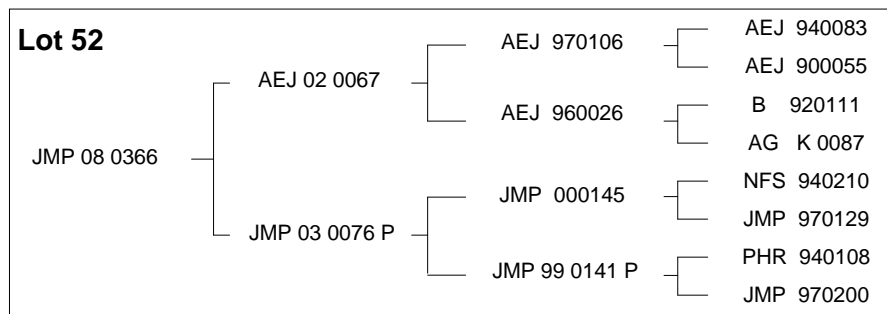
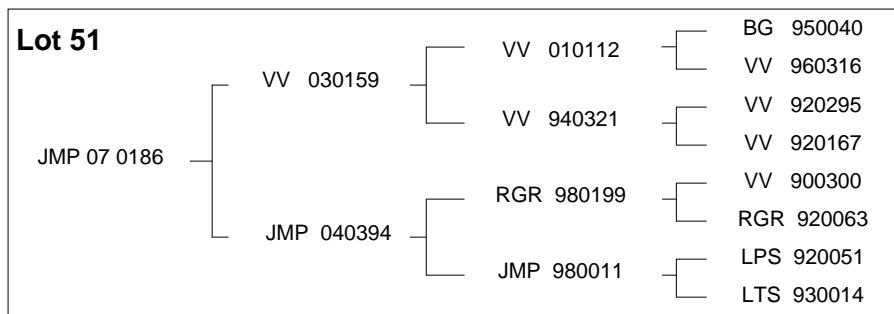


BONSMARA CATTLE BREEDERS' SOCIETY OF SA

Compiled by the South African Stud Book and Livestock Improvement Association

Pedigree- and Performance data certified correct

Auction Date: 17/09/2011
Data as on 09/09/2011 09:16:25





BONSMARA BEESTELERSGENOOTSAP VAN SA

Saamgestel deur die Suid-Afrikaanse Stamboek- en Veeverbeteringsvereniging

Stamboom- en Prestasiedata korrek gesertifiseer

Veilingsdatum: 17/09/2011

Data soos op 09/09/2011 09:16:28

BULLE

| Lot | Verkoper | ID | Afd | Fase | GEBORTE | | GROEIVERMOË | | | | | DOELTREFF | | | MATES | | | REPROD | | OUERS | | | | | | TELER SE EIE OPMERKINGS | |
|------|-------------------------------|---------------|-------|------|-------------|-------------|-------------|------------|------------|------------|-------------|-----------|------------|-----|-------------|----------|----------|----------|-------------|------------|-------------|--------------|---------|------|--------|----------------------------|------|
| | | | | | Geb Dir | Geb Mat | Speen Dir | Speen Mat | 12M | 18M | Volw Gew | GDT | VOV | GDI | Voer Wins | Hgt | Lgt | Vel (mm) | Kalf Temp | SO | Vaar | | Moer | | | | |
| | | | | | Akk | Akk | Akk | Akk | Akk | Akk | Akk | Akk | Akk | Akk | Akk | Akk | Akk | Akk | Akk | Akk | ID | ID | OEK (m) | Oud | Gem SI | | R.I. |
| Toek | Tydg | Gew | Datum | Gew | Ind | Ind | Ind | Ind | Ind | Ind | Ind | Ind | Ind | Ind | Ind | (mm) | (mm) | L:H | (mm) | Toek | Toek | TKP | Kalw | Kalf | | | |
| 59 | MARLOO BONSMARASTOET EDMS BPK | JMP 09 0134 P | SP | C | -0.13 80 | -0.72 49 | 7.8 73 | 1.2 48 | 7.5 44 | 7.3 34 | -18.0 35 | 150 63 | -137 73 | - | 85.93 71 | 18 75 | 39 71 | 19 | 41.00 10 | 17.2 74 | JMP 07 0167 | JMP 040006 P | 28 | 6 | 95 | 103 | |
| | | | | | 80 | 35 | 07.06.09 | 234 | 96 | | | 95 | 93 | | | 1216 | 1460 | 1.2 | | 331 | - | - | 455 | 4 | 3 | | |
| 60 | MARLOO BONSMARASTOET EDMS BPK | JMP 08 0217 | SP | C | -1.28 81 | 0.13 46 | 8.8 74 | 3.6 47 | 10.8 46 | 12.2 41 | 1.0 20 | 112 63 | -113 74 | - | 74.68 71 | 1 75 | 16 71 | 13 | 47.00 10 | -2.1 74 | JMP 06 0278 | JMP 06 0111 | 28 | 5 | 107 | 111 | |
| | | | | | 63 | 31 | 21.09.08 | 255 | 103 | | | 102 | 117 | | | 1171 | 1396 | 1.19 | | 312 | - | - | 400 | 3 | 3 | | |
| 61 | MARLOO BONSMARASTOET EDMS BPK | GBS 07 0107 | SP | D | 0.92 81 | 0.18 57 | 7.9 76 | -0.2 57 | 10.1 66 | 12.8 53 | 13.0 36 | 63 63 | -79 17 | - | 51.03 52 | 2 74 | 4 71 | 11 | 42.00 10 | 15.8 73 | MRW 020149 | DNN 960104 | 29 | 14 | 99 | 115 | |
| | | | | | 10 | 40 | 07.10.07 | 240 | 95 | | | 111 | - | | | 1190 | 1349 | 1.13 | | 368 | - | - | 368 | 12 | 12 | | |



BONSMARA BEESTELERSGENOOTSAP VAN SA

Saamgestel deur die Suid-Afrikaanse Stamboek- en Veeverbeteringsvereniging
Stamboek- en Prestasiedata korrek gesertifiseer

Veilingsdatum: 17/09/2011
Data soos op 09/09/2011 09:16:28

